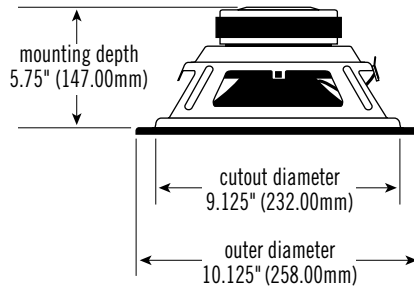


SPECIFICATIONS

DIAMETER:	10" (250mm)
SENSITIVITY (2.83V @ 1M):	90dB
POWER HANDLING:	250W _{RMS} /1000W _{PEAK}
FREQUENCY RESPONSE:	28Hz ~ 500Hz
NOMINAL IMPEDANCE:	4 OHMS (PER COIL)
VOICE COIL DIAMETER:	2" (50.70mm)

DIMENSIONS:

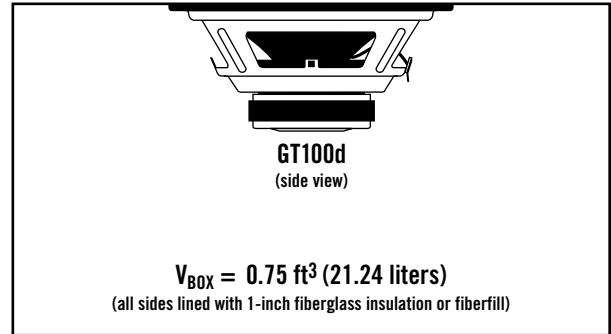


THIELE-SMALL PARAMETERS*

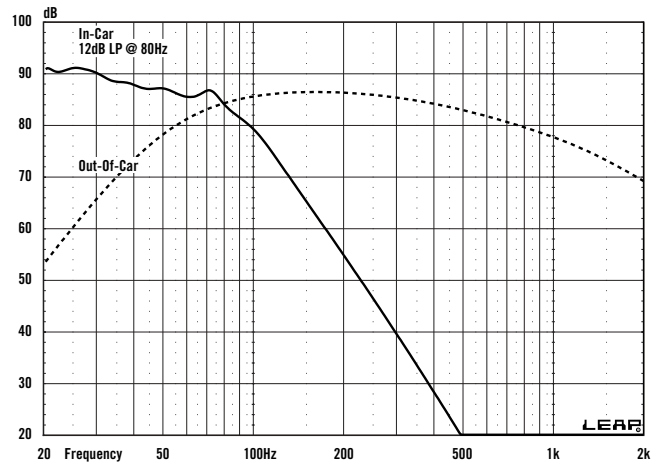
VOICE COIL DC RESISTANCE:	R_{EVC} (OHMS)	1.79
VOICE COIL INDUCTANCE @ 1kHz:	L_{EVC} (MH)	0.68
DRIVER RADIATING AREA:	S_D (IN ²)	53.63
	S_D (CM ²)	346.00
MOTOR FORCE FACTOR:	BL (TM)	9.56
COMPLIANCE VOLUME:	V_{AS} (FT ³)	1.46
	V_{AS} (LITERS)	41.22
SUSPENSION COMPLIANCE:	C_{MS} (μM/N)	242.47
MOVING MASS, AIR LOAD:	M_{MS} (GRAMS)	116.95
MOVING MASS, DIAPHRAGM:	M_{MD} (GRAMS)	113.25
FREE-AIR RESONANCE:	F_S (Hz)	29.89
MECHANICAL Q:	Q_{MS}	7.62
ELECTRICAL Q:	Q_{ES}	0.43
TOTAL Q:	Q_{TS}	0.41
MAGNETIC-GAP HEIGHT:	H_{AG} (IN)	1.30
	H_{AG} (MM)	33.00
VOICE COIL HEIGHT:	H_{VC} (IN)	0.31
	H_{VC} (MM)	8.00
MAXIMUM EXCURSION:	X_{MAX} (IN)	0.49
	X_{MAX} (MM)	12.50

*VOICE COILS CONNECTED IN PARALLEL

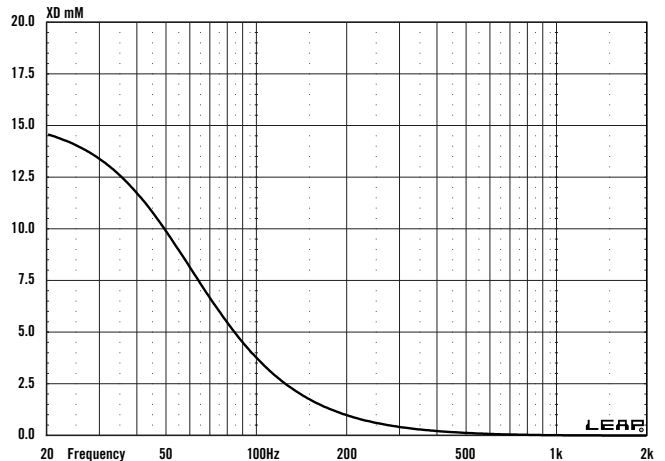
SEALED BOX VOLUME (INCLUDES DRIVER DISPLACEMENT)



SEALED FREQUENCY RESPONSE @ 2.83V



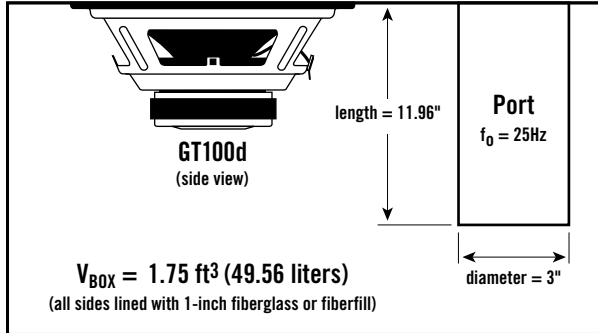
SEALED TRANSDUCER EXCURSION @ 250W



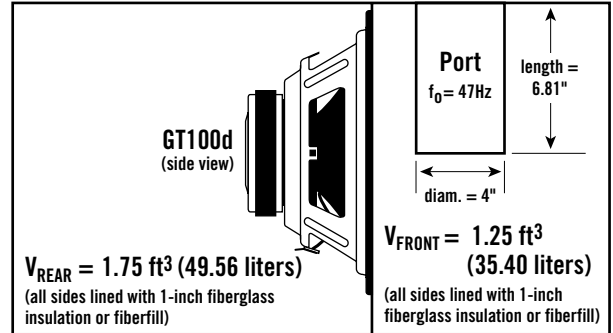


GT100d 10" Woofer – Technical Data

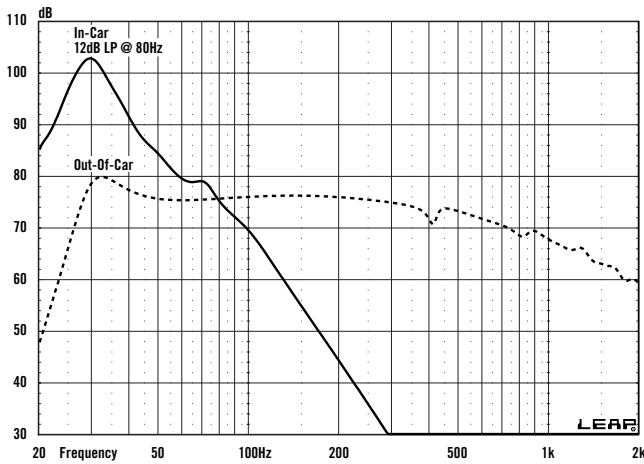
VENTED BOX VOLUME (INCLUDES DRIVER/PORT DISPLACEMENTS)



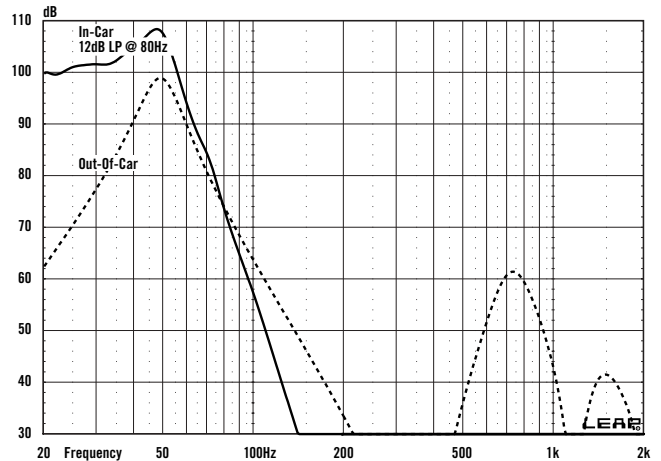
SEALED BANDPASS BOX VOLUME (INCLUDES DRIVER/PORT DISPLACEMENTS)



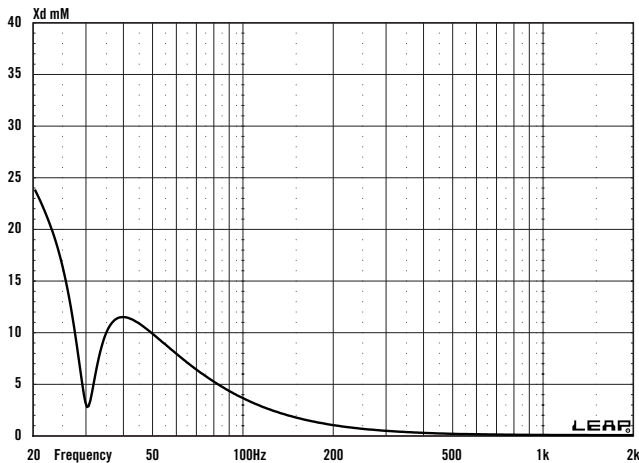
VENTED FREQUENCY RESPONSE @ 2.83V



SEALED BANDPASS FREQUENCY RESPONSE @ 2.83V



VENTED TRANSDUCER EXCURSION @ 250W



SEALED BANDPASS TRANSDUCER EXCURSION @ 200W

